



**USER MANUAL**  
**Mobeye<sup>®</sup> PowerGuard**  
**CM2100**

SW version 1.n

## **Attention! Very important**

This user manual contains important guidelines for the installation and usage of the Mobeye<sup>®</sup> device as described in this manual. Please read these thoroughly before you start using the Mobeye<sup>®</sup> device! In case of damage caused by disregarding the guidelines, the warranty expires.

The user must regularly check the proper functioning of the device. The manufacturer cannot be held liable for any damage caused by any incorrect use or incorrect functioning of the Mobeye<sup>®</sup> device.

### **Safety guidelines**

- The permitted ambient temperature during operation may not be exceeded (not lower than -10°C and not higher than 50°C).
- The device is intended for use in dry and clean places.
- Protect the device from moisture, heat and water splashing.
- The guidelines for the battery usage must be regarded.
- Do not expose the device to strong vibrations.
- Do not let it fall from height.
- Do not use in an environment where any inflammable gases, vapors or dust are present or could be present.
- The repairs of the device may only be carried out by people, trained for Mobeye<sup>®</sup> repair.
- In case the device must be repaired, only original replacement components may be used. The use of different parts may lead to damage of the Mobeye<sup>®</sup> device.

### **Use in accordance with the regulation**

The use of this device in accordance with the regulation is sending SMS text messages and making telephone calls after an alarm situation. Other usages are not permitted.

### **Battery recycling**

CR123 batteries, as used in the Mobeye PowerGuard, are classified as non-hazardous waste and can be recycled. Please take empty batteries to a nearest collection point.

## CONTENT

<b>1.</b>	<b>General description</b>	<b>2</b>
<b>2.</b>	<b>Getting started</b>	<b>3</b>
2.1	Place a SIM card	3
2.2	Place the batteries	3
2.3	Connect the unit to the external power supply	3
2.4	Program at least one telephone number	3
2.5	Switching on/off	3
<b>3.</b>	<b>Use of inputs</b>	<b>5</b>
<b>4.</b>	<b>Extended options</b>	<b>6</b>
4.1	Program mode	6
4.2	The security code	6
4.3	Programming the settings by SMS	6
4.4	Possible General settings	6
4.4.1	Phone numbers	6
4.4.2	Identification text	7
4.4.3	Alarm text	7
4.4.4	Alarm notification type: SMS or SMS + call	7
4.4.5	Power failure delay time	7
4.4.6	Input type	7
4.4.7	Input delay time	7
4.4.8	Inactive time	8
4.4.9	Alarm repeat time	8
4.4.10	Test SMS text message	8
4.5	Reset of system	8
4.6	List of SMS commands for configuration	9
<b>5.</b>	<b>Request overview of the settings and status</b>	<b>10</b>
5.1	Status request	10
5.2	Overview general settings	10
5.3	Overview phone numbers	10
<b>6.</b>	<b>Technical messages and status feedback</b>	<b>11</b>

## 1. GENERAL DESCRIPTION

The Mobeye PowerGuard is GSM module with back-up batteries used to send out an alarm after a power failure or after a triggered input.

The Mobeye PowerGuard is pre-programmed with standard action-reaction patterns. To change this behaviour please refer to chapter 4.

The factory settings of the Mobeye PowerGuard cause following reactions:

- In case a power failure occurs the Mobeye PowerGuard sends an alarm SMS text message and calls to the phone numbers as programmed. The SMS message contains the text 'Mobeye Power failure'.
- In case the power is restored, the Mobeye PowerGuard sends a 'power restored' SMS text message to the phone numbers as programmed.
- In case one of the inputs is activated by a sensor, the Mobeye PowerGuard sends an alarm SMS text message and calls to the phone numbers as programmed by the user.
- In case the power failure remains and/or the inputs remain in the alarm status, the Mobeye PowerGuard repeats sending the SMS alarm message to the phone numbers as programmed every 4 hours.
- In case the batteries need to be replaced, the Mobeye PowerGuard sends a 'battery low' SMS text message to the administrator (first telephone number).

## 2. GETTING STARTED

To get started with the Mobeye PowerGuard at least the following steps need to be taken in following order:

1. Place SIM card (with PIN code 0000 or without PIN code)
2. Place the batteries
3. Connect the unit to the external power supply
4. Program at least one telephone number (administrators' number)
5. Arming/disarming the system

These steps are further explained in this chapter. After these steps the module will be operational.

### 2.1 PLACE A SIM CARD

Open the enclosure with the 4 screws and insert a SIM card into the module. Push the black cover outward slightly to open the holder. Before installing the SIM card should have PIN code "0000", or be free of a PIN code.

(A PIN code can be changed or removed by putting the SIM card in a mobile phone and change or remove the PIN in the security menu.)

**NB:** make sure the SIM card is inserted before the batteries are placed. In case of a SIM card change, please first remove the batteries (and remove any other external power supply).

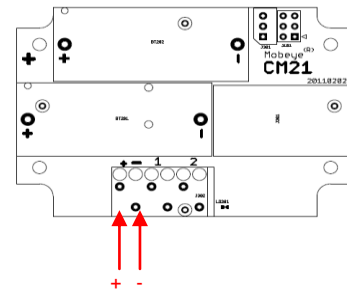
### 2.2 PLACE THE BATTERIES

Place the two batteries (CR123) in the module. Use the +/- indication for the correct placement. The green LED will flash to indicate that the module is not configured (at least one telephone number should be programmed).

### 2.3 CONNECT THE UNIT TO THE EXTERNAL POWER SUPPLY

Connect the external power adapter (or any other regulated 12VDC power supply) to the power input of the connector:

- V+ (black lead with white stripe) to "+"
- Ground (black lead) to "-"



As soon as the power supply is connected, the module searches for GSM network connection; during this time the LED outside is flashing. As soon as network connection is established, the LED will be 'on'.

### 2.4 PROGRAM AT LEAST ONE TELEPHONE NUMBER

The Mobeye PowerGuard is able to send messages up to 5 telephone numbers. The first telephone number belongs to the administrator. Technical messages (like "battery low") are sent to the administrator only. Without the administrators' phone number, the Mobeye PowerGuard cannot not function.

When the PowerGuard is in initial (factory) status and power supply is connected (so the LED is 'on'), the administrators' number is programmed by calling the telephone number of the Mobeye PowerGuard using the administrators' phone. The unit will recognize this number and store it as administrator (telephone number 1). The administrator will receive a confirmation SMS text message including the security code. This code is needed to program the other settings in the unit.

**NB:** for this way of programming the number recognition in the administrator's phone must be 'on'. To program or change the administrators' number by SMS command, please refer to 4.4.1.

## **2.5 SWITCHING ON/OFF**

After the previous steps, the Mobeye PowerGuard is ready for use.  
It is armed (switched on) automatically. The green LED blinks once in 3 seconds.

In order to switch off (disarm) the Mobeye PowerGuard:

- Press the on/ off button at the upper side for 1 second. The green LED switches off to indicate the armed status.

In order to switch on (arm) the Mobeye PowerGuard:

- Press the on/ off button at the upper side for 1 second. The green LED blinks once in 3 seconds (or permanently in case of an external power supply) to indicate the armed status.

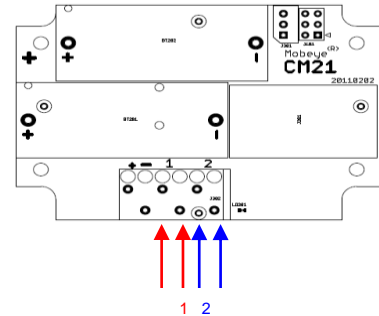
### 3. USE OF INPUTS

It is possible to connect external sensors to the inputs. As a standard reaction after a triggered input, the Mobeye PowerGuard sends an SMS text message to the preset numbers and calls these numbers.

Insert the 2 wires of an external sensor through the hole of the enclosure to the inside part and next in the two connectors of input 1. It does not matter which wire is connected to which connector. If necessary the wires can be extended up to 5 meters using appropriate wire material.

When using a second input, connect this to input 2.

As default the inputs are programmed as Normally Open (NO) contacts. This means the inputs are triggered in case the input is closed during at least 1 second. In case the contact should be Normally Closed (NC), please refer to paragraph 4.4.4. In case a sensor should be activated shorter or longer before evoking an alarm, please refer to 4.4.7.



## 4. EXTENDED OPTIONS

To program the Mobeye PowerGuard, the GSM module must have network connection. The configuration is programmed by SMS messages. All settings are stored and will be kept in the unit, even in case the power supplies are removed.

### 4.1 PROGRAM MODE

As long as the Mobeye PowerGuard has external power supply, it has GSM network connection. The module is ready to receive SMS commands. In case the Mobeye PowerGuard has no external power supply but is fed by batteries, the module enters the program mode directly after placing the batteries. During the time the module searches GSM network connection the LED flashes 2 sec. on/1 sec. off. Within 10-30 seconds the connection is established and the status LED starts flashing 1 sec. on/1 sec. on (or 'off' in case the first telephone number has not been configured).

The Mobeye PowerGuard (just fed by batteries) returns to the program mode by pressing the on/off button during 5 seconds, until the LED starts flashing (or turns to 'on').

### 4.2 THE SECURITY CODE

For configuration activities the security code of the Mobeye PowerGuard must be used. The initial security code is '1111'.

In this manual this code is referred to as <CODE>.

### 4.3 PROGRAMMING THE SETTINGS BY SMS

The settings are programmed by SMS text messages.

- Be sure the PowerGuard is in program mode (please refer to 4.1).
- Send an SMS message with following content:

**<CODE> <command>**

- Do not forget the space character between <PIN code> and <command>.
- The commands are case sensitive.
- Several commands may be combined in one SMS message (with a maximum of 160 characters) by placing a # between the commands.

**<CODE> <command1>#<command2> ..... #<commandN>**

The green LED blinks 3 times to indicate the successful configuration. In case of an incorrect command, the LED flashes 5 times.

In 4.6 the complete scheme with SMS commands is listed

## 4.4 POSSIBLE GENERAL SETTINGS

This paragraph describes the general settings for the PowerGuard.

### 4.4.1 Phone numbers

The Mobeye PowerGuard is able to send alarm messages up to 5 phone numbers. The first telephone number (TEL1) belongs to the administrator. Only this number receives all system messages. The other phone numbers (including the administrator) only get the alarm messages.

To set or change telephone numbers:

SMS command 1<sup>st</sup> telephone number: **<CODE> TEL1:<telephone number>**

SMS command 2<sup>nd</sup> telephone number: **<CODE> TEL2:<telephone number>**

.... similar for TEL3...TEL5



To delete telephone numbers:

SMS command delete 1<sup>st</sup> telephone number: **<CODE> DEL1**

.... similar for DEL2...DEL5

In case a foreign number needs to be entered start with 00 follow by the country code (e.g. 0031612345678).

#### 4.4.2 Identification text

It is possible to add a standard identification text (NAME) to all messages sent out by the Mobeye PowerGuard. The alarm messages are a combination of the name and the alarm text.

A user defined identification has a length of maximum 20 characters. The default identification text is 'Mobeye'.

SMS command identification text: **<CODE> NAME:<free text>**

#### 4.4.3 Alarm text

Unique alarm texts can be programmed into the Mobeye PowerGuard. User defined texts have a maximum length of 20 characters.

Following default texts are programmed:

Triggered input 1	<TEXT1>:	Alarm 1
Triggered input 2	<TEXT2>:	Alarm 2
Power failure	<TEXT3>:	Power failure
Power restoration	<TEXT4>:	Power restored

SMS commands text 1: **<CODE> TEXT1:<free text>**

SMS commands text 2: **<CODE> TEXT2:<free text>**

.... similar for TEXT3 and TEXT4

#### 4.4.4 Alarm notification type: SMS or SMS + call

As default behaviour, after a power failure or an activated input the Mobeye PowerGuard notifies by SMS text message followed by a telephone call (beep signal). The combination of SMS text and the call increases the chance of getting the attention of the contact persons. It is possible to disable the call (OFF), so that only an SMS message will be sent. The default alarm notification type is ON (SMS + call).

SMS command alarm notification type: **<CODE> CALL:xxx**

#### 4.4.5 Power failure delay time

The power failure delay time defines the time that the power fails before an alarm is initiated. If the power is restored within the delay time, no alarm is sent. The time can be set between 0 and 999 minutes. As default, the delay time is set to 0.

SMS command power failure delay time: **<CODE> DELAYPOW:xxx**

#### 4.4.6 Input type

The input type defines the character of the inputs IN1 and IN2. This can be Normally Open (NO) or Normally Closed (NC). In case an input is set to NO, the alarm will be triggered as soon as the terminals of the input are closed. If the input is set to NC, the alarm is triggered in case the connection between the input terminals is broken. The default input type is set to NO.

SMS command input type input 1: **<CODE> TYPEIN1:xx**

SMS command input type input 2: **<CODE> TYPEIN2:xx**

#### 4.4.7 Input delay time

The input delay time defines the time that the input are triggered before an alarm is initiated. If the input returns to the non-alarm status within the delay time, no alarm is sent. The time can be set between 0 and 999 seconds.

As default, the input delay time is set to 1 second.

SMS command alarm delay input 1: **<CODE> DELAY1:xxx**

SMS command alarm delay input 2: **<CODE> DELAY2:xxx**

#### 4.4.8 Inactive time

The “inactive time” defines the time input 1 or input 2 is not active after an activation. In case the time is set to “0” (minutes), the input is active again immediately after returning to the non-alarm status. In case the time is set to e.g. 30 minutes, the input remains inactive for the first 30 minutes. In case the input is again (or still) activated after these 30 minutes, a new alarm message is sent.

The time can be set between 0 and 60 minutes. As default, the inactive time is set to “0”.

SMS command inactive time input 1: **<CODE> INACTIVEIN1:xx**

SMS command inactive time input 2: **<CODE> INACTIVEIN2:xx**

#### 4.4.9 Alarm repeat time

In order to emphasize the urgency of the alarm messages, all alarms can be repeated. As long as the alarm status has not returned to the inactive status, the SMS alarm will be repeated after the ‘alarm repeat time’. The time can be set between 0 and 24 hours. As default the alarm repeat time is set to 4 hour.

SMS command alarm repeat time: **<CODE> REPEAT:xx**

#### 4.4.10 Test SMS text message

The Mobeye PowerGuard can send regular test SMS messages (‘keep alive’) to the administrator, to ensure the proper functioning of the unit. The test message function is only active in case the unit is armed.

The interval between the test messages can be set between 0 days (no test message) and 30 days. The default test interval is set to 0 (no test message).

SMS command interval test message: **<CODE> TEST:xx**

### 4.5 RESET OF SYSTEM

To reset the Mobeye PowerGuard to its factory settings:

- Remove the batteries and external power supply
- Press the outside button while entering the batteries. Keep it pressed for (about) another 5 seconds
- Release the button immediately after the LED starts to flash
- Reconnect the external power supply

After a successful reset, the status LED on the keypad will blink green to indicate that the module is not configured. The security code <CODE> is back to factory settings as well.

#### 4.6 LIST OF SMS COMMANDS FOR CONFIGURATION

Setting	SMS Command	Range	Default value
Change security code	INSTCODE:<xxxx>	0000..9999	1111
Set telephone number for alarm messages	TEL1:<tel number> .... TEL5:<tel number>		Empty
Delete telephone number	DEL1 .... DEL5		
Identification text	NAME: <text>	20 characters	Mobeye
Alarm notification type	CALL: <type>	ON, OFF	ON
Power failure delay time	DELAYPOW:<min>	0..999 (min)	0
Input type (input 1)	TYPEIN1:<type>	NO, NC	NO
Input type (input 2)	TYPEIN2:<type>	NO, NC	NO
Delay on input 1	DELAY1:<sec>	0..999 (sec)	1
Delay on input 2	DELAY2:<sec>	0..999 (sec)	1
Inactive time input 1	INACTIVEIN1:<min>	0..60 (min)	0
Inactive time input 2	INACTIVEIN2:<min>	0..60 (min)	0
Alarm repeat time	REPEAT:hh	0..24 (hrs)	4
Alarm text input 1	TEXT1:<text>	20 characters	Alarm 1
Alarm text input 2	TEXT2:<text>	20 characters	Alarm 2
Alarm text after power failure	TEXT3:<text>	20 characters	Power failure
Alarm text after power restoration	TEXT4:<text>	20 characters	Power restored
Interval 'test SMS'	TEST:<days>	0..30 (days)	0

Examples:

Set phone number1 :            1111 TEL1:0612345678

Delete phone number1:        1111 DEL1

## **5. REQUEST OVERVIEW OF THE SETTINGS AND STATUS**

The programmed settings and status of the GSM detector can be received per SMS message. Before sending the request, make sure the unit is in the program mode (please refer to 4.1).

### **5.1 STATUS REQUEST**

The status of the Mobeye PowerGuard can be requested by sending an SMS with the content:

**<CODE> STATUS?**

Upon sending this request, the Mobeye PowerGuard returns the status to the originator of the request. The status message includes the ARMED / NOT CONFIGURED status, the status of the inputs and the status of the power and batteries.

### **5.2 OVERVIEW GENERAL SETTINGS**

The general settings of the Mobeye PowerGuard can be requested by sending an SMS with the content :

**<CODE> SET?**

Upon sending this request, the Mobeye PowerGuard returns the list of programmed settings to the originator of the request.

### **5.3 OVERVIEW PHONE NUMBERS**

The list of telephone numbers can be requested by sending an SMS message with the content :

**<CODE> CALL?**

Upon sending this request, the Mobeye PowerGuard returns the list of programmed telephone numbers to the originator of the request.

## 6. TECHNICAL MESSAGES AND STATUS FEEDBACK

### Technical messages

In case of a technical problem, the administrator receives an SMS message. Possible technical messages are:

Message	Reason
Low batteries, external power supply OK	Power is available, batteries need to be replaced
No external power supply, batteries OK	No external power supply, batteries are capable to take over operation in low power mode
Low batteries, no external power supply	No external power supply, batteries need to be replaced
External power supply OK, batteries OK	The external power is restored (or the adapter is plugged in a socket), batteries do not need to be replaced
Message(s) missed due to Network/SIM failure	One or more SMS text messages couldn't be sent, due to a SIM card failure or GSM network failure.

When receiving one of the above mentioned technical messages, please take appropriate action as soon as possible. During the battery replacement, the SIM card does not have to be removed.

### Status feedback

Status	LED pattern	Required action
Module not configured	Blinking 1 second on / 1 second off	Configure at least one telephone number
Module is switched on, powered by batteries	1 flash every 3 seconds	No action required
Module is switched on, powered by an external source	On	No action required
Module establishes network connection to send an alarm message	Blinking 2 seconds on, 1 second off	Wait until the network connection is established and the message is sent
Module establishes network connection to get to program mode	Blinking 3 seconds on, 1 second off	Wait until the network connection is established before programming
No GSM connection	2 flashes every 3 seconds	Try the SIM card in any mobile telephone; replace SIM card using other telecom provider; try the module at another location
No valid SIM card or wrong PIN	3 flashes every 3 seconds	Try the SIM card in any mobile telephone; remove PIN code; check credit; replace SIM card
Successful programming action	Blinking 3 times	No action required
Faulty programming action	Flashing 5 times	Check SMS command
Low batteries	4 flashes every 3 seconds	Replace both batteries

## Technical specifications

GSM	:	Quad band EGSM, 850/900/1800/1900 Mhz
Antenna	:	900/1800/1900 Mhz
Batteries	:	2* CR123 (lithium)
Battery life in normal mode	:	>2 years
Ext. power connection	:	12 VDC (+/- 2 VDC) / min. 500 mA.
Power consumption low power	:	ca 50 µA. stand-by / max. ca. 500 mA
Power consumption 12V	:	ca 50 mA. stand-by / max. ca. 500 mA
Dimensions	:	80 x 60 x 40 mm
Ambient temperature	:	-10 °C until +50 °C

This manual is published by Mobeye®.

All rights, the translation included are reserved. Any reproduction, either photocopy, microfilm or saved in an automated data dictionary, only after written approval of the Publisher.

Reprinting, even in summary, is prohibited.

This user manual meets the technical requirements at the moment of printing. Changes in technology and equipment are reserved.

© Copyright 2012 by Mobeye, version CM2100NL120305

